



PHEILIXTM

Pheilix Home Smart

U.K Model : 230V 16A 3.6KW

Product Code No :

EVS230163SA(Socket outlet)

EVS230163TA(5m tethered cable with Type 2 Gun

Code Description :

EV Smart 230V 16A 3.6Kw TNCS and TT system with Socket outlet App monitoring



Technical Specifications

U. K 3.6Kw Smart Version

Competitive Key Advantages

- No earth rod required
- PME PEN loss protection
- Working TNCS and TT system
- Default Off -peak charging included
- Random delay monitoring included
- Demand Side Respond Service included
- Anti-tamper included
- E-Switch function for economy tariff
- Total power monitoring
- Home load balance monitoring
- Solar power/Battery monitoring available
- Wifi & Ethernet & Blue tooth connectivity
- Welded contacts detection
- RS485 Adaptor wired to CT
- 3x RFID cards + App monitoring as standard
- Built in independent MID meter
- Auto Test
- Home-use available for Commercial use
- Reset Button
- 3 Year Warranty

Optional Choice

- 5m Tethered Version
- 1st wired CT with 5m Cat5 cable for home load balance
- 2^{ed} wired CT with 5m Cat5 cable for solar circuit
- 3rd wired CT with 5m cat5 cable for battery circuit
- Home use working as commercial function

Performance

Housing case	Plastic/Steel
Mounting Location	Outdoor /Indoor (permanent mounting)
Charging Model	Model 3(IEC61851-1)
Charging Interface Type	IEC62196-2 Type 2 socket, Tethered optional
Charging current	16A
Display	RGB Led indicator as standard
Operation	App monitoring +RFID cards as standard
IP Grade	IP65
Operation Temperature	-30°C ~ +55°C
Operation Humidity	5% ~ 95% without condensation
Operation Attitude	<2000m
Cooling method	Natural air cooling
Enclosure Dimensions	390x230x130mm
Weight	7KG

Electrical Specifications

Input Voltage	230Vac ± 10%
Input Frequency	50Hz
Output Power	3.6KW
Output Voltage	230Vac
Output Current	16A
Standby power consumption	3w
Earth leakage protection (Type A+6mA DC)	√
2ed Type A+6mA DC on PE wire	Optional
PEN protection as standard	√
No earth rod required as standard	√

Independent AC Contactors	√
Independent MID meter as standard	√
Solenoid locking mechanism	√
Emergency Stop Button	√
Main circuit CT for load balance	Optional
Solar circuit CT	Optional
Battery circuit CT	Optional

Security Protections

No earth rod required	√
PEN/PME fault protection	√
Welded contacts detection	√
Over-voltage Protection	√
Under-voltage protection	√
Overload protection	√
Over current protection	√
Short Circuit protection	√
Earth leakage protection A+6mADC	√
2ed Type A+6mA DC on PE wire	Optional
Ground protection	√
Over-temp protection	√
Double Isolation	√
Auto Test	√
Earth Connection Test	√
Anti-tamper alarming	√

Software and Communications

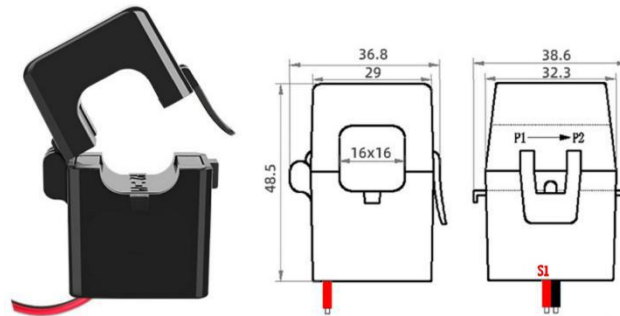
OCPP1.6 Platform and App system

OCPP1.6 Protocol Management Platform	√
Sub-management Accounts for Operators	√
Customized LOGO and Advertisement on Platform	√
ios & Android App System	√
Unlimited Function to Divided into sub-App system	√
App Management Web Accounts for Operators	√
Independent App system (Customized LOGO and advertisement)	√
Ethernet/RJ45 Connection Interface as standard	√
Wifi Connectivity as standard	√
RFID functionality for off-line as standard	√
Smart charge App Monitoring	√
Default Off-peak Charge App Monitoring	√
Random Delay App Monitoring	√
Respond of DSR Service App Monitoring	√
Total Power App Monitoring	Optional
Home Load Balancing App Monitoring	Optional
Residential Solar Power App Monitoring	Optional
Residential Battery Bank App Monitoring	Optional
Residential Air Source Heating App Monitoring	Optional
Other Home Smart Devices App Monitoring	Optional
Solar+Battery+Smart Charge All- In- One	TBA
Payment by credit cards	Optional
Payment by RFID cards	Optional

RS485 Adaptor & Wired CT Technical Data (Optional)

CT Code No : OPCT16AL-1000/1

Adaptor Code No : PHAT32AL-1000/1



Flame Retardant Characteristics	UL94-V0
Insulation Resistance	>1000M Ω
Voltage Level	0.66/0.72KV
Compressive Strength	2KV/50HZ/1 MIN
Working Frequency	50HZ-200KHZ
Working Temperature	-40--85 $^{\circ}$ C
Rated Input	100A
Rated Output	100mA
Rated Sampling Resistance	20 Ω
Rated sampling Voltage	2V
Transformation Ratio	1000/1
Rated Phase Difference	60(RL=0 Ω)
Accuracy error	0.5%
Linearity	0.3%
Normally Current	0-100A(RL \leq 20 Ω)
Max Current	0-120A(RL \leq 10 Ω)
Secondary internal resistance	41 \pm 5 Ω
Net Weight	82.1g
Wire Length	1000mm

Regulation and Standard

BS EN IEC 61851-1:2019	Electric vehicle conductive charging system. General requirements
BS EN 61851-22:2002	Electric vehicle conductive charging system. A.C. electric vehicle charging station
BS EN 62196-1:2014	Plugs, socket-outlets, vehicle connectors and vehicle inlets. Conductive charging of electric vehicles. General requirements
Applicable Regulations	Electromagnetic Compatibility Regulations 2016
	Electrical Equipment Safety Regulations 2016
	Regulations: restriction of hazardous substances (RoHS)
	Radio Equipment Regulations 2017
BS 8300:2009+A1:2010	Design of an accessible and inclusive built environment. Buildings. Code of practice
BSI PAS1878 & 1879 2021	Energy Smart Appliances – System functionality and architecture & Demand side response operation
Installation	
BS 7671	Wiring Regulations 18 th edition+2020EV Amendment

Optional Accessories

Mounting Pole	Optional
RS485 wired CT with 5m Cat5 cable	Optional
4G module(Sim card)	Optional
Gun bracket for tethered version	Optional
Cable hook for tethered version	Optional
5m Type2 to Type 2 cable leads	Optional